

EXTERNAL

ALUMINIUM  
SHUTTERS & SCREENS  
COMMERCIAL & RESIDENTIAL



# EXTERNAL



## COMMERCIAL & RESIDENTIAL STYLISH ALUMINIUM

Vueline Aluminium Shutters provide an elegant plantation Shutter option designed for harsh external environments. The Shutters are designed with durability and strength to withstand high-traffic environments, the external elements, and wet areas. Our Vueline Aluminium Shutters transform your outdoor spaces, into more liveable, functional, and stylish environments.



LOCAL MADE OPTION AVAILABLE

7 YEARS  
WARRANTY

PAINT FINISH  
CONSTRUCTION  
WORKMANSHIP





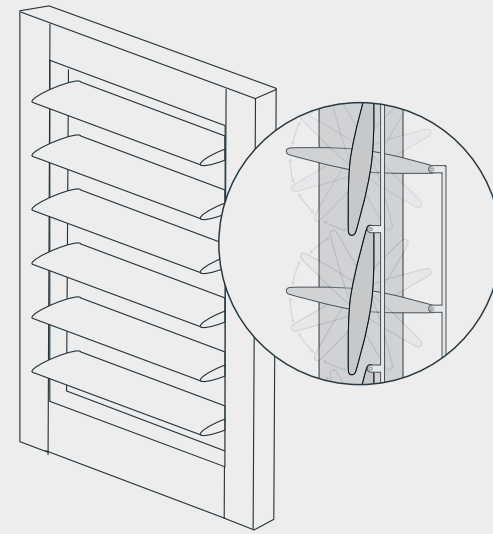
# VERSATILITY

BI FOLDS - UNRESTRICTED VIEWS

7 YEARS WARRANTY  
PAINT FINISH  
CONSTRUCTION  
WORKMANSHIP

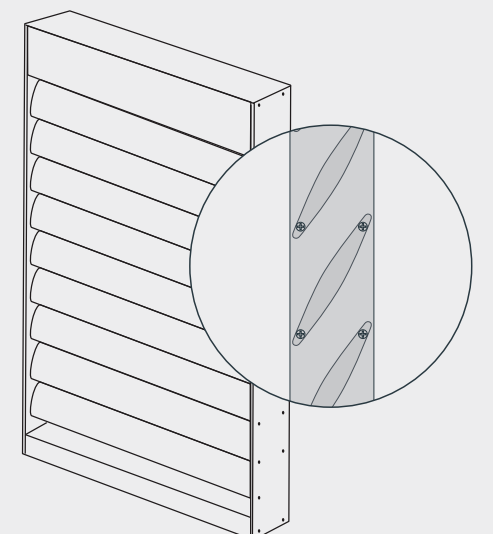
## SHUTTER TYPES

### OPERABLE BLADES



The Vueline Aluminium Operable Blades shutters allow you to rotate the louvre blades, giving you the versatility of light, airflow, and privacy control.

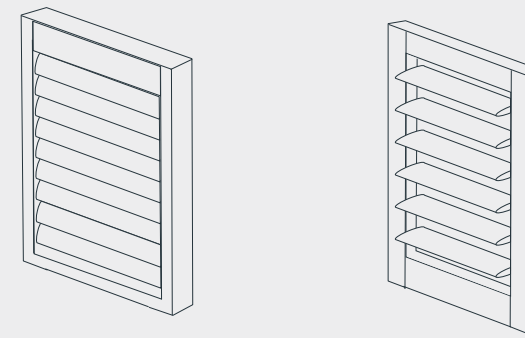
### FIXED BLADES



The Vueline Aluminium fixed blade shutters are designed to provide privacy, and shading to your outdoor space.

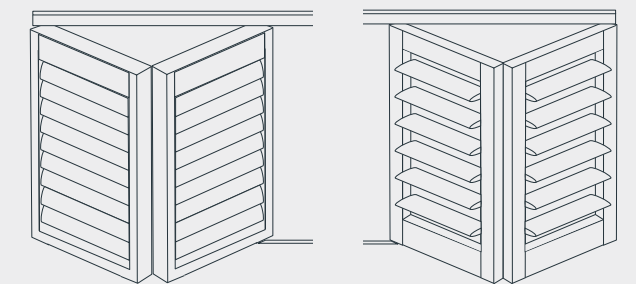
## MOUNTING SYSTEM OPTIONS

### HINGED



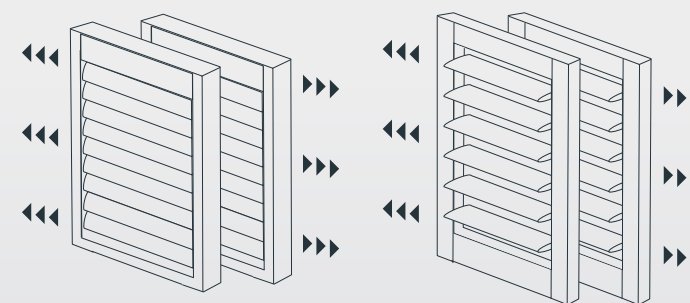
FIXED & OPERABLE

### BI FOLD



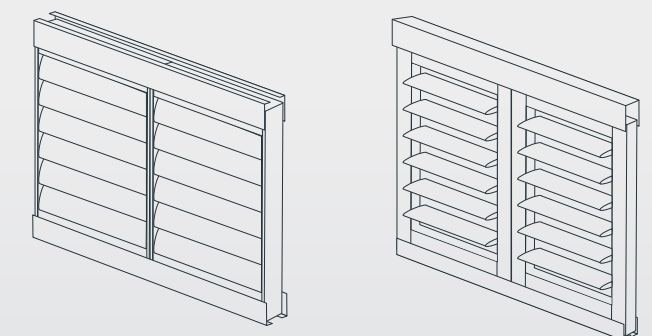
FIXED & OPERABLE

### SLIDING



FIXED & OPERABLE

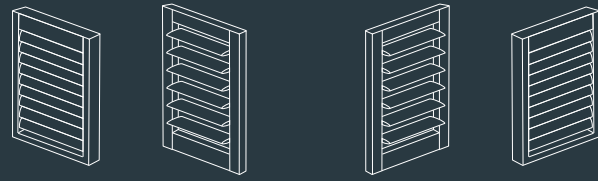
### U CHANNEL



FIXED & OPERABLE



LOCAL & IMPORTED  
**HINGED**  
MOUNTING OPTIONS

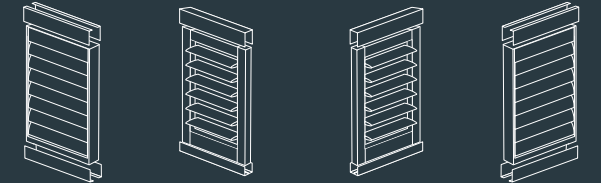


Great for high trafficable openings



Perfect to shade or secure doors or windows

LOCAL & IMPORTED  
**U CHANNEL**  
MOUNTING OPTIONS



Create a fixed barrier of louvers.

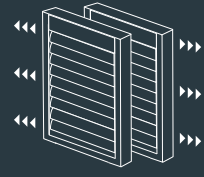


Perfect for voids and BBQ areas





LOCAL & IMPORTED  
**SLIDING**  
MOUNTING OPTIONS



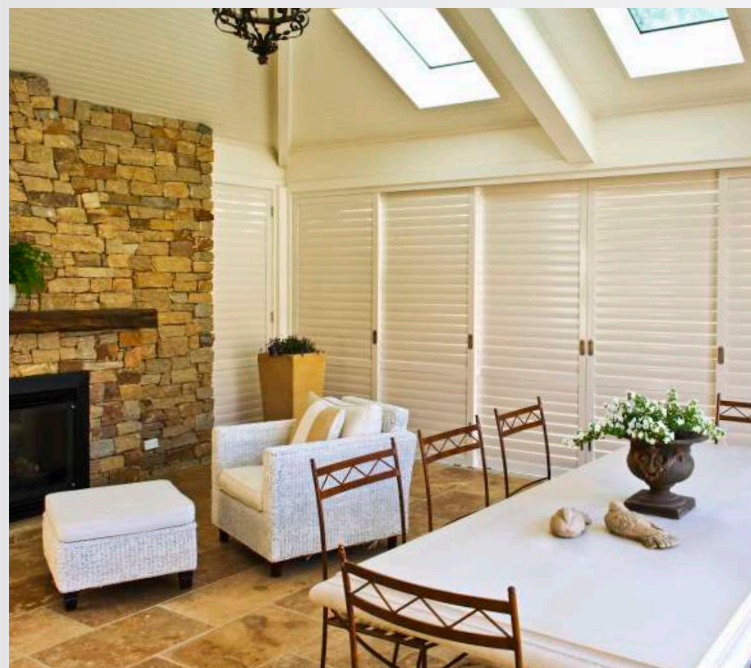
Perfect for wide span & uninterrupted openings.



Easily slide your panels across your opening for privacy and light control.



Perfect for enclosing balconies and verandas.



LOCAL & IMPORTED  
**BI FOLDS**  
MOUNTING OPTIONS



Perfect for wide span & uninterrupted openings.



Able to stack your panels away neatly.



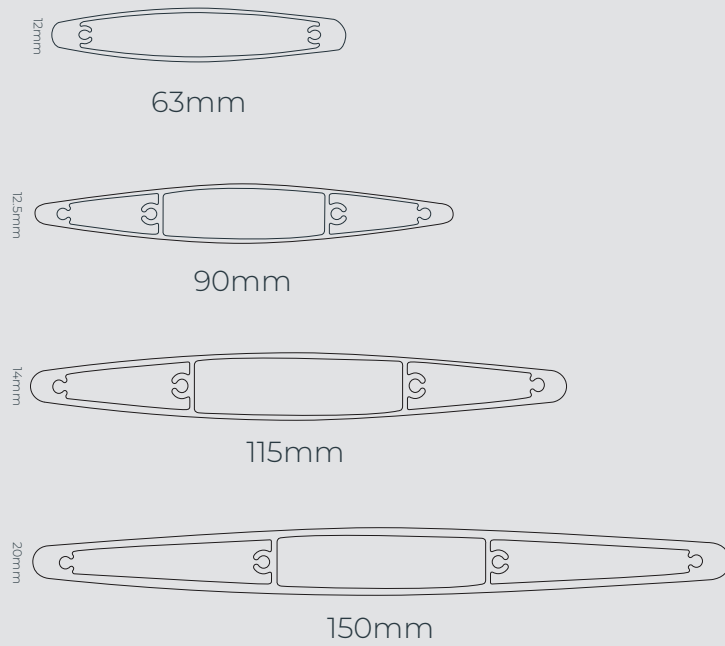
Create a versatile enclosure.





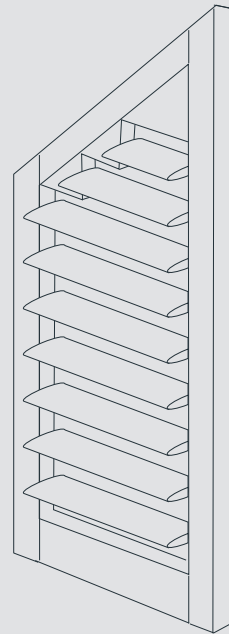
# LOCAL & IMPORTED OPTIONS

## Fixed or Operable Blade Options



PLEASE NOTE  
 · IMPORTED: All blades have colour coded end caps  
 · LOCAL: 63, 90, 115mm blades have white, black, silver and cream end caps.  
 150mm blades have colour coded end caps

## Fixed or Operable Rake Speciality Shapes



# LOCAL & IMPORTED COLOUR OPTIONS

## Imported - Standard Colour Options



## Imported - Custom Colour Options (Surcharge Applies)



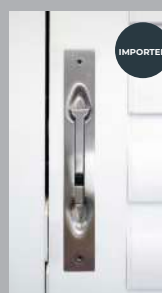
## Fixed or Operable - Accessories



Handle Locks



Dead Locks



Flush Bolts

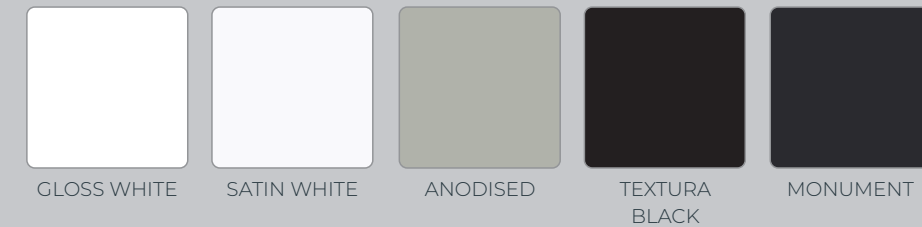


Drop Bolts



Blade Locks

## Local - Standard Colour Options



## Local - Custom Colour Options (Surcharge Applies)

Available on request

# VERSATILE ALUMINIUM!

COMMERCIAL & RESIDENTIAL

## Quality Aluminium

Interior or Exterior application

## Strong Construction

Exterior Grade Powdercoating

## Protection from the Elements

## Stylish Design & Colour options

## Privacy & Light Control

